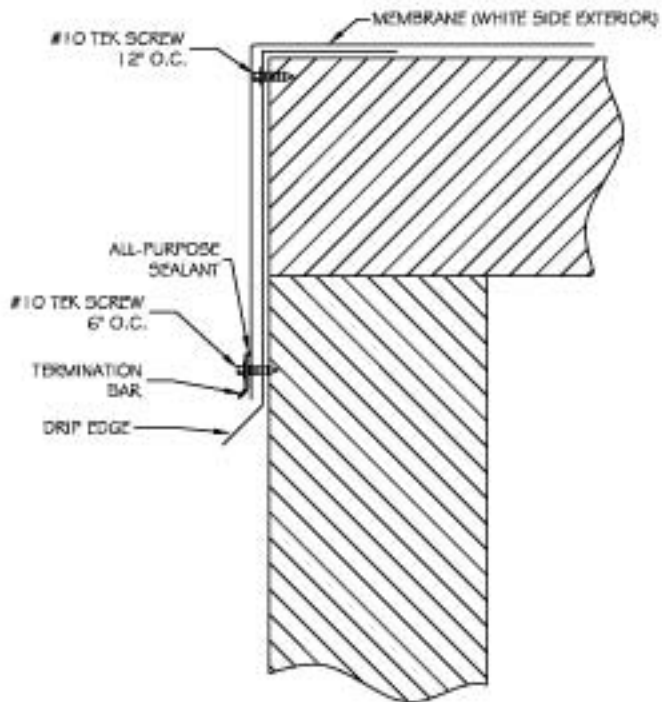
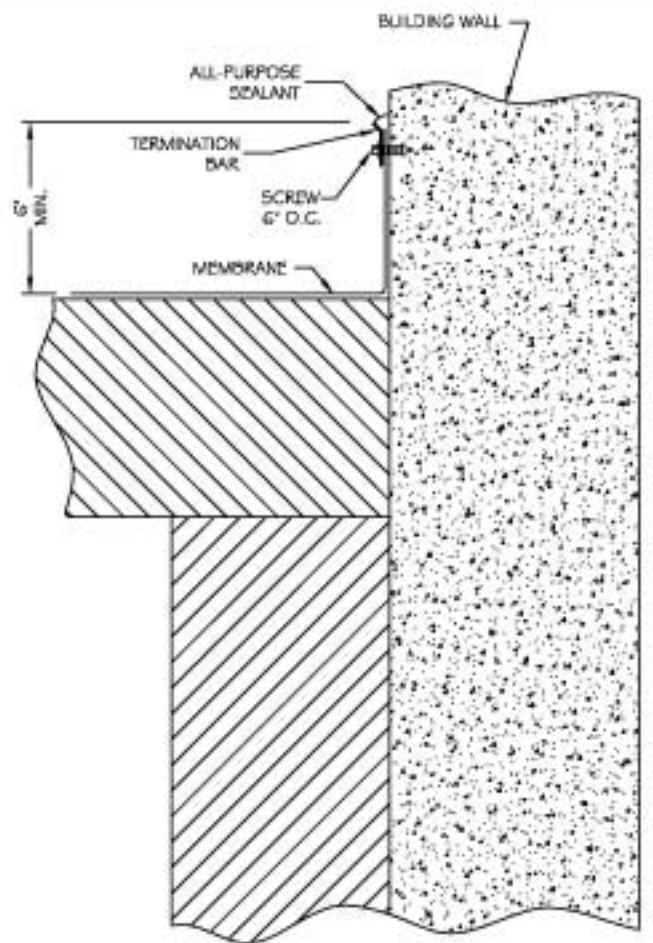


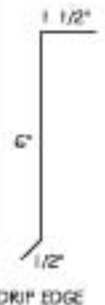
OPTION A



OPTION B



ATTACHING MEMBRANE TO EXISTING BUILDING WALL



TYPICAL WALL SECTION

SOUTHEAST COOLER CORP.
LITHIA SPRINGS, GA.

SCALE:	DRAWN BY: DLS
DATE: 7-29-98	APP. BY: